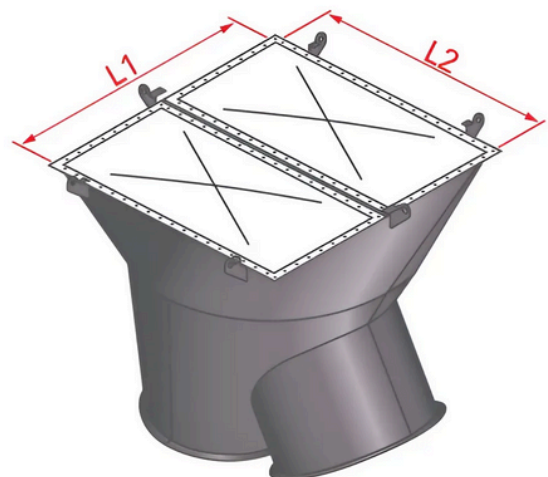
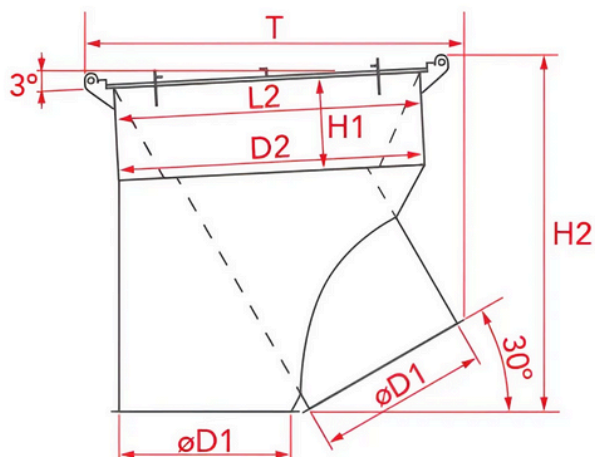


V-DEX

**V-DEX**

The V-DEX diverter serves to redirect explosions within ducts, thereby averting the dissemination of flames or overpressures into connected vessels. This device effectively diminishes the risk of flame propagation.

DIMENSIONS

MODEL	∅	H1	H2	D1	D2	L1	L2	T	Vent Panel
Model A	200	150	555	200	410	410	410	685	VD 410×410
Model A	250	175	600	250	490	490	490	781	VD 490×490
Model A	300	200	700	300	610	610	610	875	VD 610×610
Model A	350	225	800	350	645	645	645	975	VD 645×645
Model A	400	250	900	400	850	850	850	1070	VD 780×780
Model A	450	275	1000	450	780	780	780	1165	2× VD 457×890
Model A	500	300	1100	500	920	920	920	1260	2× VD 457×890
Model A	550	325	1200	550	980	980	980	1355	2× VD 457×890
Model A	600	350	1300	600	1070	1020	1020	1455	2× VD 586×920
Model A	650	375	1400	650	1180	1180	1180	1550	2× VD 586×920
Model B	700	400	1500	700	1250	1375	1130	1645	4× VD 610×610
Model B	750	425	1600	750	1350	1455	1350	1740	4× VD 610×610
Model B	800	450	1700	800	1430	1455	1350	1835	4× VD 645×645
Model B	850	475	1800	850	1520	1605	1520	1930	4× VD 586×920
Model B	900	500	1900	900	1600	1605	1520	2030	4× VD 586×920
Model B	950	525	2000	950	1700	1785	1780	2125	6× VD 475×890
Model B	1000	550	2100	1000	1780	1785	1780	2220	6× VD 475×890