

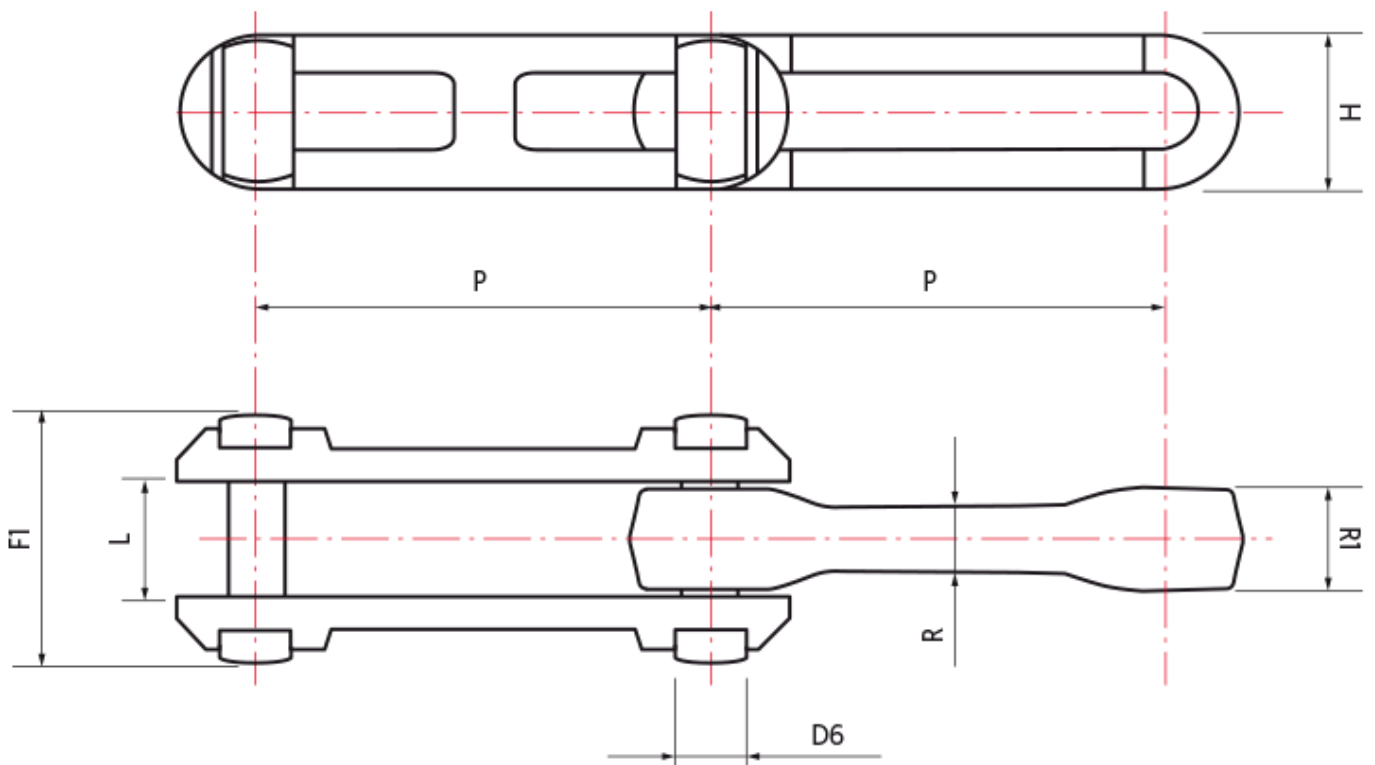
RIVETLESS CHAINS



RIVETLESS CHAINS

Rivetless chain, with a robust and simple construction, offers a favorable strength-to-weight ratio, making it suitable for overhead trolleys, scraper flights, and assembly conveyors. Both Standard and X styles are available in alloy steel. The X series provides bidirectional flexing, making it ideal for overhead systems with vertical curves. Numerous attachments are available, allowing for a wide range of applications.

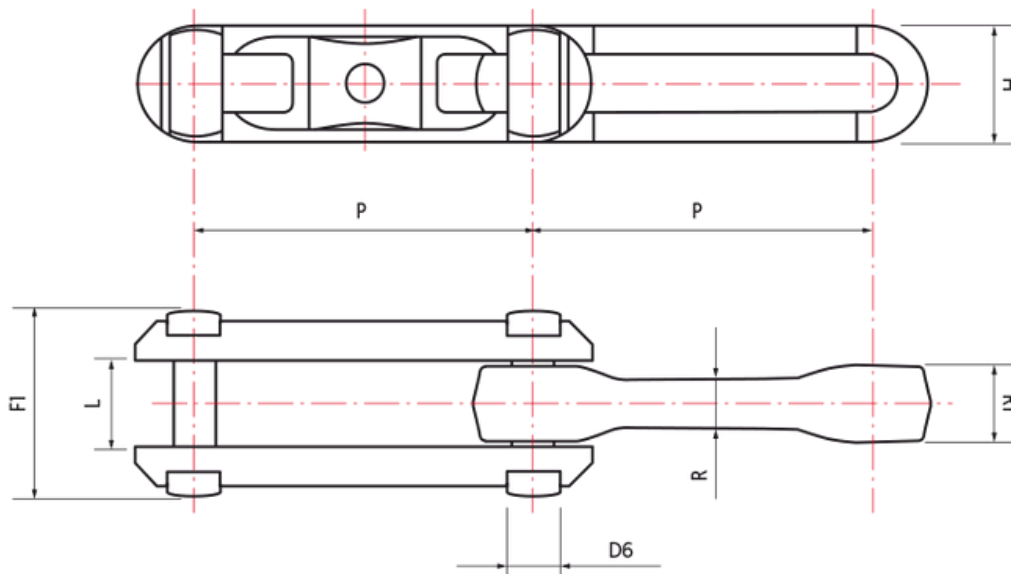
STANDARD



Rivetless Standard Chains DP 6973 ANSI.B29.22

| Chain Number | Pitch | Pins | Overall Width | Between Sidebars | Sidebars | | Inner Link | | Breaking Load |
|--------------|-------|----------|---------------|------------------|-----------|--------|------------|------|---------------|
| | | Diameter | | | Thickness | Height | Width | | |
| | P | D6 | F1 | L | S | H | R1 | R | |
| inches | | | | | | | | | |
| 468 | 4.03 | 88.000 | 3.31 | 1.69 | 0.63 | 1.88 | 0.75 | 1.63 | 1.13 |
| 698 | 6.03 | 175.000 | 3.75 | 1.63 | 0.85 | 2.59 | 1.12 | 1.56 | 1.00 |
| 998 | 9.03 | 175.000 | 3.75 | 1.69 | 0.88 | 2.66 | 1.12 | 1.63 | 1.00 |
| 9118 | 9.03 | 252.000 | 4.88 | 2.13 | 1.25 | 3.00 | 1.38 | 1.90 | 1.31 |
| 9148 | 9.03 | 375.000 | 5.85 | 2.70 | 1.38 | 3.78 | 1.75 | 2.47 | 1.63 |
| X 348 | 3.01 | 40.000 | 1.75 | 0.81 | 0.40 | 1.09 | 0.50 | 0.75 | 0.50 |
| X 458 | 4.03 | 57.000 | 2.25 | 1.06 | 0.47 | 1.38 | 0.63 | 1.00 | 0.63 |
| X 658 | 6.03 | 48.000 | 2.19 | 1.06 | 0.48 | 1.41 | 0.63 | 1.02 | 0.63 |
| X678 | 6.03 | 125.000 | 3.03 | 1.38 | 0.75 | 2.00 | 0.87 | 1.29 | 0.84 |

X-STYLE



Rivetless X-Style Chains DP 6973 ANSI.B29.22

| Chain Number | Pitch | Pins | Overall Width | Between Sidebars | Sidebars | | Inner Link | | Breaking Load |
|--------------|-------|----------|---------------|------------------|-----------|--------|------------|------|---------------|
| | | Diameter | | | Thickness | Height | Width | | |
| | P | D6 | F1 | L | S | H | R1 | R | |
| inches | | | | | | | | | |
| X 458 | 4.03 | 57.000 | 2.25 | 1.06 | 0.47 | 1.38 | 0.63 | 1.00 | 0.63 |
| X 658 | 6.03 | 48.000 | 2.19 | 1.06 | 0.48 | 1.41 | 0.63 | 1.02 | 0.63 |
| X678 | 6.03 | 125.000 | 3.03 | 1.38 | 0.75 | 2.00 | 0.87 | 1.29 | 0.84 |