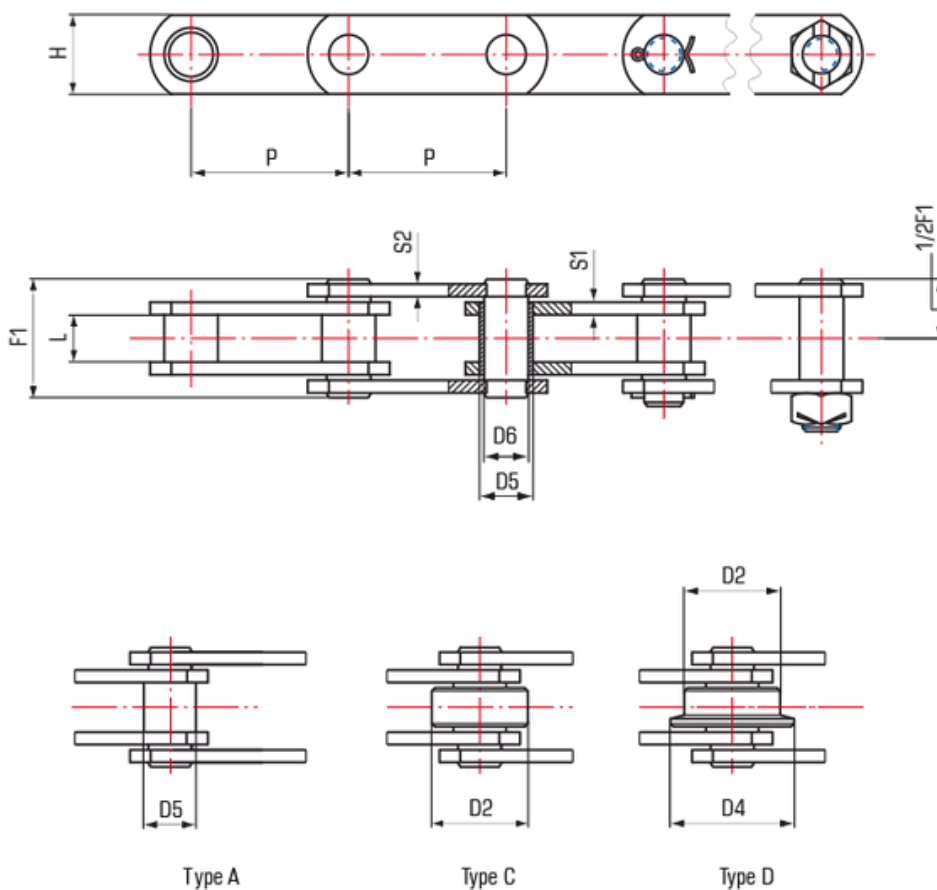


# BRITISH STANDARD HOLLOW PIN CHAINS



## BRITISH STANDARD HOLLOW PIN CHAINS

JOHN KING British standard hollow pin series affords a ready facility for fixing attachments to the outer plates through the hollow bearing pin. The attachment can be bolted up tight against the hollow pin rivet or left in a free manner. A very typical example is where the chain is operated double strand with or without a mesh overlay. It must be noted that chain of this construction loses on average 20% of its ultimate strength.



BRITISH STANDARD HOLLOW PIN CHAINS BS 4116 (HP SERIES)

Chain Number	P	Breaking Load		Average Weight	Rollers			Bushings Outside Diameter	Over-All	Between Sidebars	Sidebars			Pins Diameter	Hollow Pin Diameter
					D2	D4	Flange thickness				Thickness		Height		
											S1	S2			
					D5	F1	L	D6	D7						
mm		kN	kN*	kg/m	mm										
HP27/0508/P	50.8	27	54	3.50	31.75	40	5	17	37	15	4	4	25	14	10.2
HP27/0635/P	63.5	27	54	3.13	31.75	40	5	17	37	15	4	4	25	14	10.2
HP27/0762/P	76.2	27	54	2.88	31.75	40	5	17	37	15	4	4	25	14	10.2
HP27/0889/P	88.9	27	54	2.71	31.75	40	5	17	37	15	4	4	25	14	10.2
HP27/1016/P	101.6	27	54	2.58	31.75	40	5	17	37	15	4	4	25	14	10.2
HP27/1270/P	127.0	27	54	2.39	31.75	40	5	17	37	15	4	4	25	14	10.2
HP27/1524/P	152.4	27	54	2.27	31.75	40	5	17	37	15	4	4	25	14	10.2
HP55/0762/P	76.2	55	110	6.93	47.5	60	6	23	45	19	5	4	40	19	13.2
HP55/0889/P	88.9	55	110	6.35	47.5	60	6	23	45	19	5	4	40	19	13.2
HP55/1016/P	101.6	55	110	5.91	47.5	60	6	23	45	19	5	4	40	19	13.2
HP55/1270/P	127.0	55	110	5.30	47.5	60	6	23	45	19	5	4	40	19	13.2
HP55/1524/P	152.4	55	110	4.89	47.5	60	6	23	45	19	5	4	40	19	13.2
HP55/1778/P	177.8	55	110	4.60	47.5	60	6	23	45	19	5	4	40	19	13.2
HP55/2032/P	203.2	55	110	4.39	47.5	60	6	23	45	19	5	4	40	19	13.2
HP110/1016/P	101.6	110	200	12.14	66.7	82	9	33	58	26	7	5	50	26.9	20.2
HP110/1270/P	127.0	110	200	11.21	66.7	82	9	33	58	26	7	5	50	26.9	20.2
HP110/1524/P	152.4	110	200	10.91	66.7	82	9	33	58	26	7	5	50	26.9	20.2
HP110/1778/P	177.8	110	200	9.46	66.7	82	9	33	58	26	7	5	50	26.9	20.2
HP110/2032/P	203.2	110	200	8.92	66.7	82	9	33	58	26	7	5	50	26.9	20.2
HP110/2286/P	228.6	110	200	8.50	66.7	82	9	33	58	26	7	5	50	26.9	20.2
HP110/2540/P	254.0	110	200	8.10	66.7	82	9	33	58	26	7	5	50	26.9	20.2
HP160/1524/P	152.4	160	320	22.18	88.9	114	10.5	38	78	38	8	8	60	32	22.5
HP160/1778/P	177.8	160	320	20.18	88.9	114	10.5	38	78	38	8	8	60	32	22.5
HP160/2032/P	203.2	160	320	18.68	88.9	114	10.5	38	78	38	8	8	60	32	22.5
HP160/2540/P	254.0	160	320	16.60	88.9	114	10.5	38	78	38	8	8	60	32	22.5
HP160/3048/P	304.8	160	320	15.19	88.9	114	10.5	38	78	38	8	8	60	32	22.5