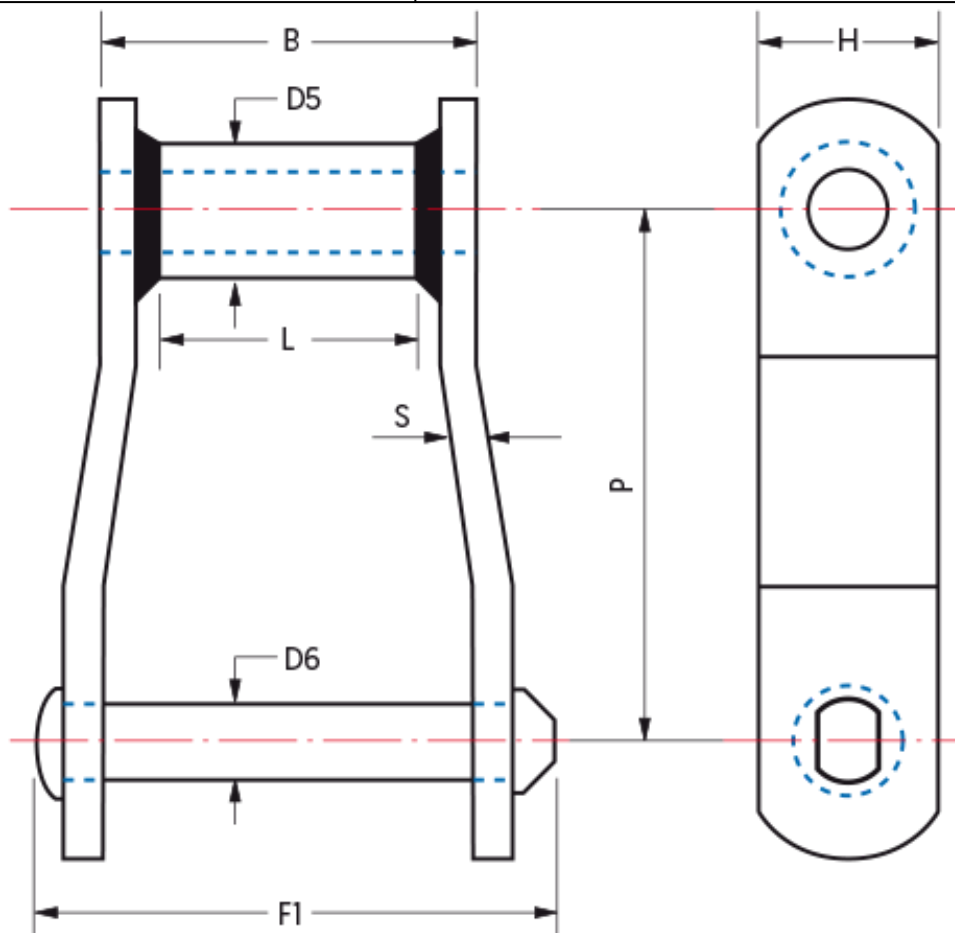


WELDED STEEL CHAINS



WELDED STEEL CHAINS

JOHN KING Welded Steel Chains have become a preferred choice in many high duty grain handling applications. The series employs an offset side plate, a bush circumferentially welded to the side plate with a pin subject to heavy interference fit of normally cottered construction. The side bar crank profile includes a "long landing" to allow maximum area for welding. The standard KING chain has heat treated parts, including an induction hardened pin and bush for optimum performance in high duty applications. The chain is generally utilised with polyethylene flights of various forms bolted to steel backing plates which in turn are welded to the chain.



Offset Sidebar Welded Steel Chains

Chain Number	Pitch	Bushings	Rivets	Over-All Pin & Cotter	Between Sidebars	Length of Bearing	Sidebars		Breaking Load	Average Weight
		Outside Diameter	Diameter				Thickness	Height		
	P	D5	D6	F1	L	B	S	H		
	inches							lbs		
WH78	2.609	0.84	0.50	3.00	1.00	2.00	0.25	1.25	33.000	4.30
WH82	3.075	1.00	0.56	3.38	1.13	2.25	0.25	1.25	36.000	4.70
WH124	4.000	1.25	0.75	4.25	1.50	2.75	0.38	1.50	57.000	7.80
WH111	4.760	1.25	0.75	4.81	1.75	3.38	0.38	1.75	60.000	8.60
WH110	6.000	1.25	0.75	4.00	1.88	3.00	0.38	1.50	50.500	7.00
WH106	6.000	1.25	0.75	4.25	1.50	2.75	0.38	1.50	60.000	6.20
WH132	6.050	1.75	1.00	6.38	2.75	4.41	0.50	2.00	122.000	14.10
WH150	6.050	1.75	1.00	6.50	2.75	4.41	0.50	2.50	122.000	16.30
WH155	6.050	1.75	1.13	6.41	2.75	4.44	0.56	2.50	175.000	19.00
WH157	6.050	1.75	1.13	6.75	2.75	4.63	0.63	2.50	175.000	20.00
WH159	6.125	2.00	1.25	6.75	2.75	4.63	0.63	3.00	210.000	26.00
WH200	6.125	2.00	1.25	6.75	2.75	4.63	0.63	2.50	190.000	22.10