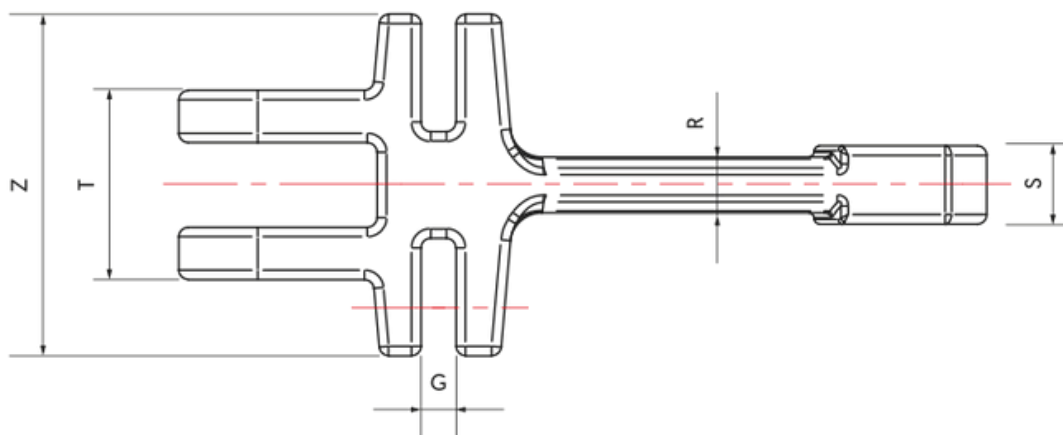
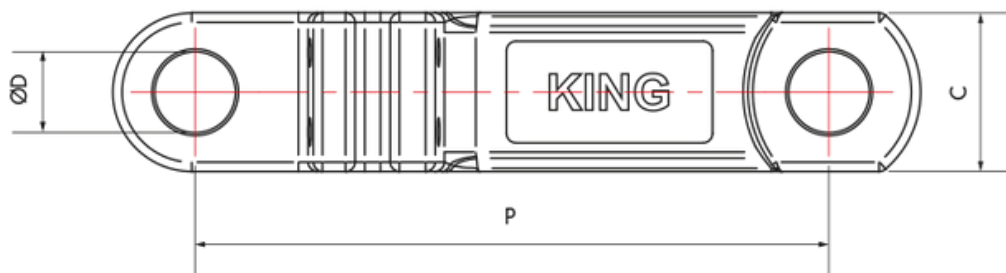


FORGED LINK TRIPLE SERIES



FORGED LINK TRIPLE SERIES

For applications demanding extra-wide flights, our triple-link design offers a unique solution, enabling the use of three chain strands, reaching up to 3100 mm overall, when combined with the double on perimeters. The innovative "Double slot" provides a versatile method for flight retention, accommodating both steel and plastic options.



FORGED LINK TRIPLE SERIES

| Chain Number | P | T | C | S | Z | G | Bolt Hole Diameter | Breaking Loads | | | Weight |
|---------------|-----|----|----|----|-------|----|--------------------|----------------|-----|-----|--------|
| | | | | | | | D | TN* | CN* | CD* | |
| | | | | | | | mm | | | | |
| JKF 142183 | 142 | 42 | 50 | 19 | 92 | 13 | 25 | 290 | 320 | 550 | 14.20 |
| JKF 142263 | 142 | 62 | 50 | 28 | 112.3 | 13 | 25 | 440 | 470 | 790 | 19.80 |