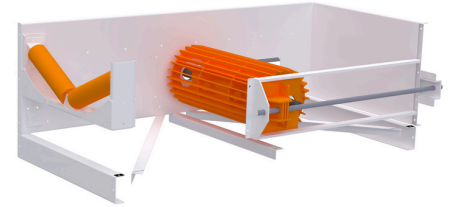
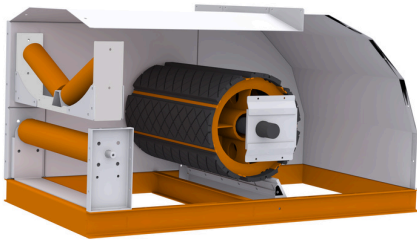


DURABELT SHUT™



- Their durability is ensured by the use of 12 mm thick replaceable protective plates;
- Installation is simplified with quick-locking sleeves from the Sati KLAB series;
- Special holes in the protective plates aid in removing particles, material residues, and moisture from the peel;
- The drum's design minimizes the load on the system.

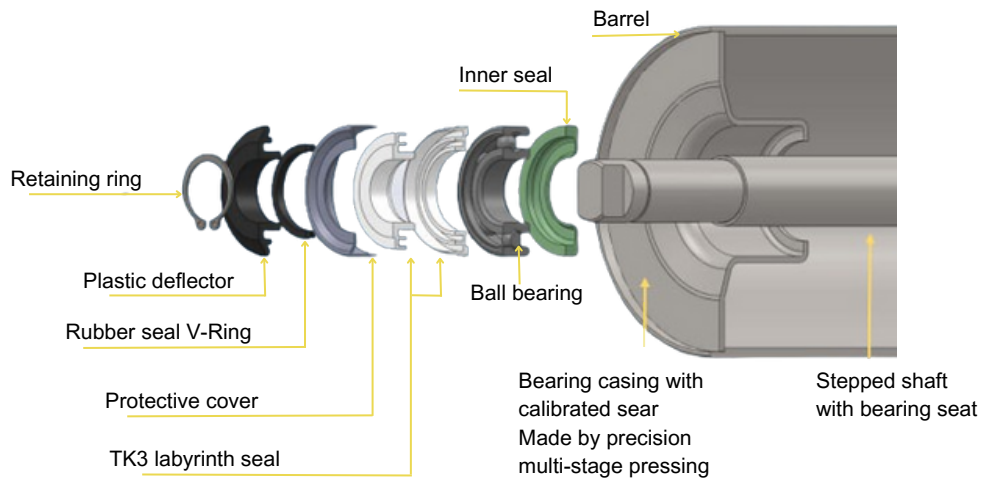
- Flexibility in selecting roller materials and shape to suit production needs;
- Easy installation and modularity for quick repair and installation, thanks to bolted fasteners;
- Rollers are equipped with TK-3 seals protecting bearings from moisture and dust;
- The support, made of sheet metal, ensures high resilience and structural reliability.

- Design features reduce stress on the system;
- Installation is simplified with Sati KLAB's quick-clamping bushings;
- Specialized grooves in linear plates aid in removing material residues and moisture;
- The design reduces friction and noise, positively impacting the service life.

- Explosion-proof design of inlet and outlet devices;
- High resource of rotating parts (over 30 thousand hours of operation);
- Abrasion-resistant construction;
- Single direction transport capability;
- Incorporation of flow shapers in feeders;
- Versatile lining options for feeders and discharge boxes: HDPE, Polyurethane, HARDOX 450;
- Enhanced support with increased roller supports at loading points;
- Bottom lining utilizes ultra-high molecular weight polyethylene (RE-1000 UHMW-PE);
- Dual-Sided Safety Sensors: Monitoring Belt Run-off, Belt Speed, and Cable Emergency Switches, along with Back Pressure;
- Diverse Drive Options: Cylindrical-Bevel, Cylindrical, Helical, Coaxial, V-Belt;
- Equipped with intermediate discharge points for enhanced efficiency;
- Conveyor belt features antistatic, oil-resistant, and frost-resistant properties;
- Additional safety sensors for monitoring inspection hatch openings and removal of protective barriers;
- ATEX22 and ATEX21 compliant version available for hazardous environments.



- Guaranteed productivity - 100, 150, 200, 250, 300, 350, 450, 500, 1000, 1500 t/h;
- Product displacement without losses;
- 100% preservation of product quality;
- Enhanced support with increased roller supports at loading points;
- Bottom lining utilizes ultra-high molecular weight polyethylene (RE-1000 UHMW-PE);
- Dual-Sided Safety Sensors: Monitoring Belt Run-off, Belt Speed, and Cable Emergency Switches, along with Back Pressure;
- Diverse Drive Options: Cylindrical-Bevel, Cylindrical, Helical, Coaxial, V-Belt;
- Equipped with intermediate discharge points for enhanced efficiency;
- Conveyor belt features antistatic, oil-resistant, and frost-resistant properties;
- Additional safety sensors for monitoring inspection hatch openings and removal of protective barriers.



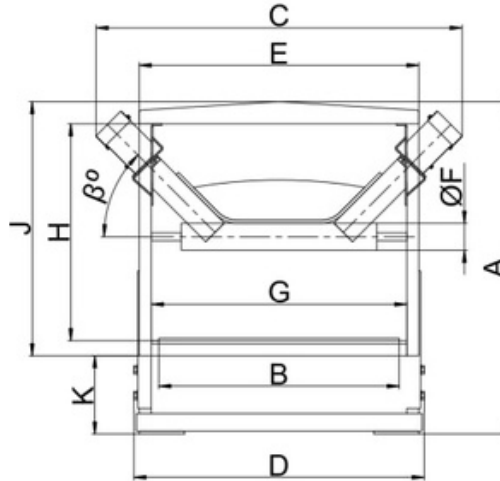
M-JET®



- Pulse range: 6-6000 pulses/min, max speed: 500 rpm;
- Preset under speed settings: -33/-20/-11/-6%;
- Intuitive setup with M12 bolt and anti-rotation strap;
- Compliance with standards: 2014/34/UE, EN/IEC 60079-0, EN/IEC 60079-31;
- IP6X-IEC 60529 rating for robust, dustproof, waterproof casing;
- Remote management capability, flexible power options;
- Comprehensive sensor array for monitoring;
- Suitable for ATEX zone European regulation 2014/34UE.



The sealed belt conveyor serves as a continuous transport system with a functional component in the shape of a belt. It facilitates the movement of bulk cargo in horizontal, inclined (-10° to +30°), and combined horizontal-inclined positions.



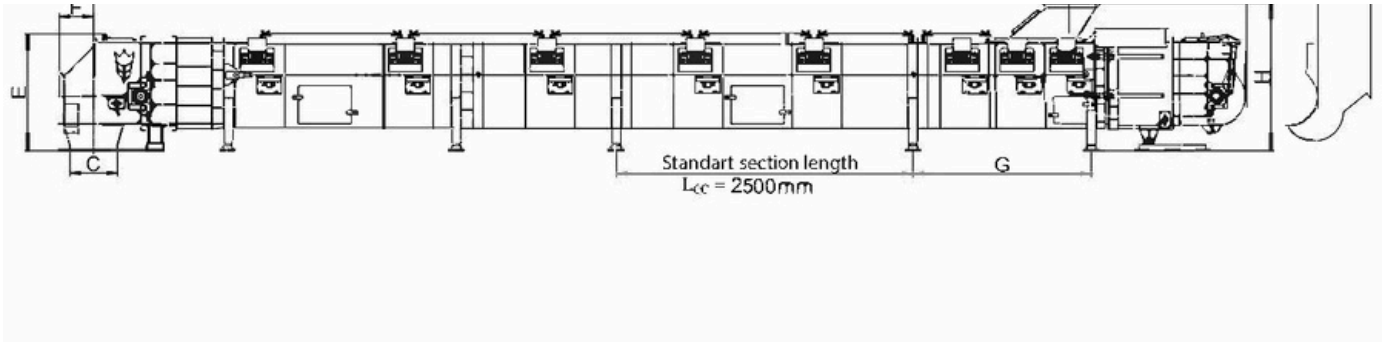
Specifications

| Capacity, t/h | A,mm | B,mm | C,mm | D,mm | E,mm | F,mm | G,mm | H,mm | J,mm | K,mm | β° |
|---------------|------|------|------|------|------|------|------|------|------|------|---------------|
| 100 | 935 | 500 | 850 | 655 | 610 | 89 | 540 | 630 | 740 | 195 | 30 |
| 200 | 990 | 650 | 1070 | 810 | 780 | 89 | 700 | 680 | 800 | 195 | 45 |
| 300 | 1105 | 800 | 1220 | 970 | 930 | 89 | 850 | 730 | 845 | 260 | 45 |
| 500 | 1200 | 1000 | 1460 | 1180 | 1140 | 108 | 1050 | 740 | 895 | 305 | 45 |
| 1000 | 1280 | 1200 | 1660 | 1375 | 1340 | 108 | 150 | 820 | 975 | 305 | 45 |
| 1500 | 1405 | 1400 | 1920 | 1575 | 1540 | 133 | 1450 | 940 | 1100 | 305 | 45 |

Equipment supply/provision

| | | | |
|------------------------|----------------------|---------------------------|--------------------------------------------|
| Equipment category | Lite | Standard | Professional |
| Drive | NRW | NORD | SEW Eurodrive |
| Bearings | CX | SNR | SKF |
| Rollers | SKIF | SKIF | SKIF/Sandvik |
| Belt EP400(500)/3 | Artego | Artego | SAVA / SIG |
| Properties of the belt | General purpose | Oil-resistant, antistatic | Oil-resistant, antistatic, frost-resistant |
| Housing coating | Painted / Galvanized | Painted / Galvanized | Painted / Galvanized |

The sealed belt conveyor serves as a continuous transport system with a functional component in the shape of a belt. It facilitates the movement of bulk cargo in horizontal, inclined (-10° to +30°), and combined horizontal-inclined positions.



Specifications

| Model | A,mm | B,mm | C,mm | D,mm | D1,mm | E,mm | F,mm | G,mm | H,mm | m*, kg/m |
|-------|----------------|------|---------------|----------------|----------------|------|------|------|------|-------------|
| 100 | 1300/ 2100* | □300 | □300 | 1700/ 3300* | 2200/ 3800* | 960 | 290 | 1500 | 1200 | 125 |
| 200 | 1400/ 2200* | □400 | □400 | 1800/ 3400* | 2300/ 3900* | 990 | 290 | 1500 | 1200 | 165 |
| 300 | 1500/ 2300* | □450 | 700× 900 | 1900/ 3500* | 2400/ 4000* | | 400 | 2000 | 1400 | 225 |
| 500 | 1600/ 2400* | □500 | 700× 1100 | 2000/ 3600* | 2500/ 4100* | 1175 | 400 | 2000 | 1565 | 285 |
| 1000 | 1700/ 2500* | □700 | 850× 1300 | 2100/ 3700* | 2600/ 4200* | 1235 | 470 | 2000 | 1620 | 365 |
| 1500 | 2500/ 3300* | □800 | 1000× 1500 | 3300/ 4500* | 3800/ 5000* | 1400 | 500 | 2300 | 1850 | 500 |