

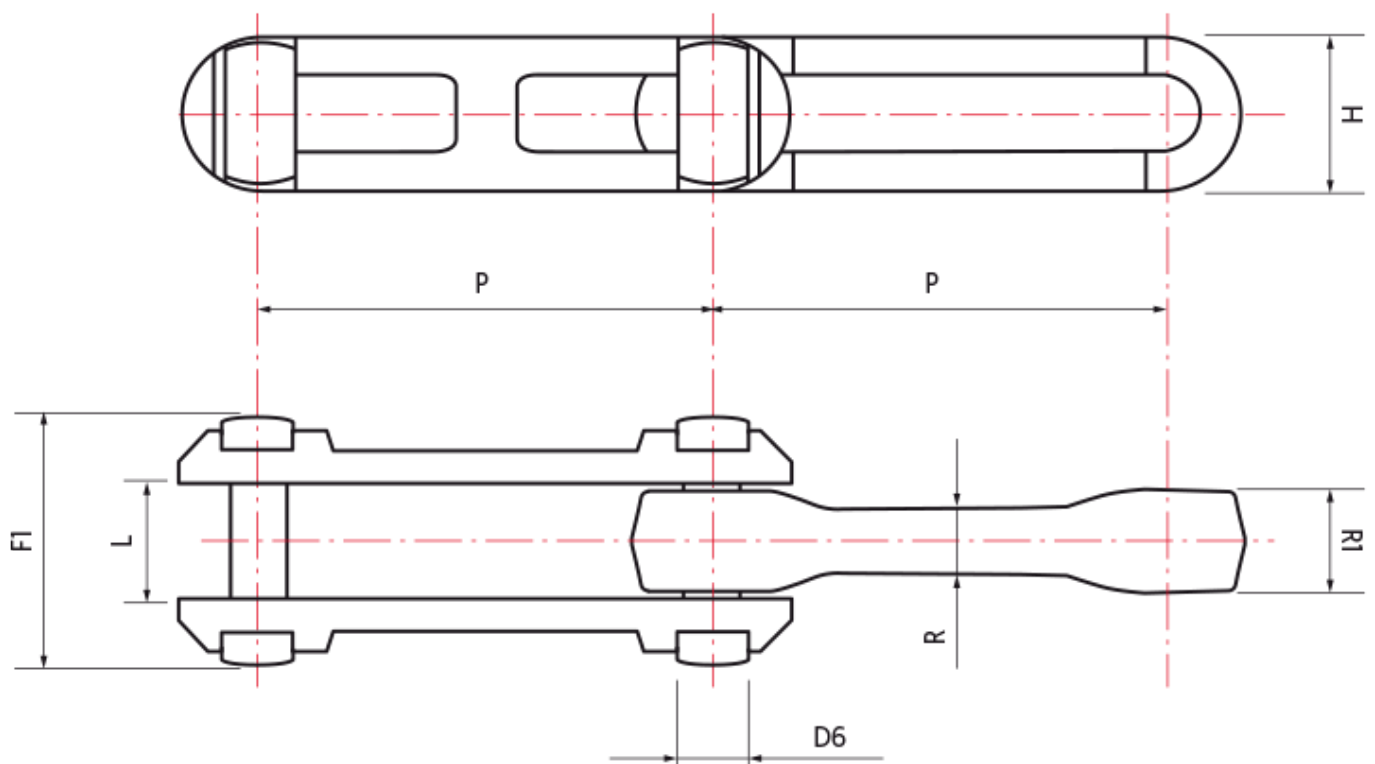
RIVETLESS CHAINS



RIVETLESS CHAINS

Rivetless chain, with a robust and simple construction, offers a favorable strength-to-weight ratio, making it suitable for overhead trolleys, scraper flights, and assembly conveyors. Both Standard and X styles are available in alloy steel. The X series provides bidirectional flexing, making it ideal for overhead systems with vertical curves. Numerous attachments are available, allowing for a wide range of applications.

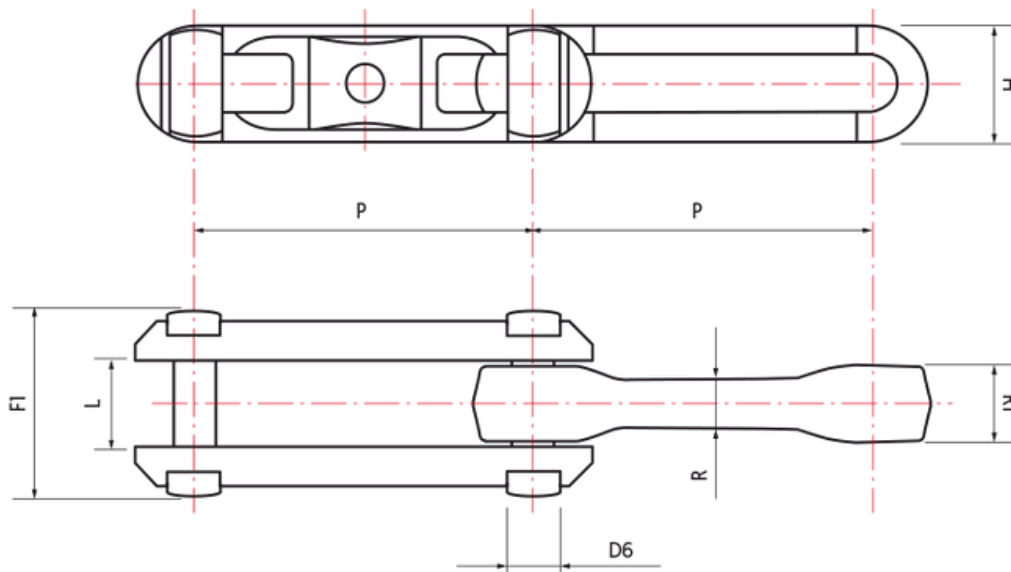
STANDARD



Rivetless Standard Chains DP 6973 ANSI.B29.22

Chain Number	Pitch	Pins	Overall Width	Between Sidebars	Sidebars		Inner Link		Breaking Load
		Diameter			Thickness	Height	Width		
	P	D6	F1	L	S	H	R1	R	
inches									
468	4.03	88.000	3.31	1.69	0.63	1.88	0.75	1.63	1.13
698	6.03	175.000	3.75	1.63	0.85	2.59	1.12	1.56	1.00
998	9.03	175.000	3.75	1.69	0.88	2.66	1.12	1.63	1.00
9118	9.03	252.000	4.88	2.13	1.25	3.00	1.38	1.90	1.31
9148	9.03	375.000	5.85	2.70	1.38	3.78	1.75	2.47	1.63
X 348	3.01	40.000	1.75	0.81	0.40	1.09	0.50	0.75	0.50
X 458	4.03	57.000	2.25	1.06	0.47	1.38	0.63	1.00	0.63
X 658	6.03	48.000	2.19	1.06	0.48	1.41	0.63	1.02	0.63
X678	6.03	125.000	3.03	1.38	0.75	2.00	0.87	1.29	0.84

X-STYLE



Rivetless X-Style Chains DP 6973 ANSI.B29.22

Chain Number	Pitch	Pins	Overall Width	Between Sidebars	Sidebars		Inner Link		Breaking Load
		Diameter			Thickness	Height	Width		
	P	D6	F1	L	S	H	R1	R	
inches									
X 458	4.03	57.000	2.25	1.06	0.47	1.38	0.63	1.00	0.63
X 658	6.03	48.000	2.19	1.06	0.48	1.41	0.63	1.02	0.63
X678	6.03	125.000	3.03	1.38	0.75	2.00	0.87	1.29	0.84